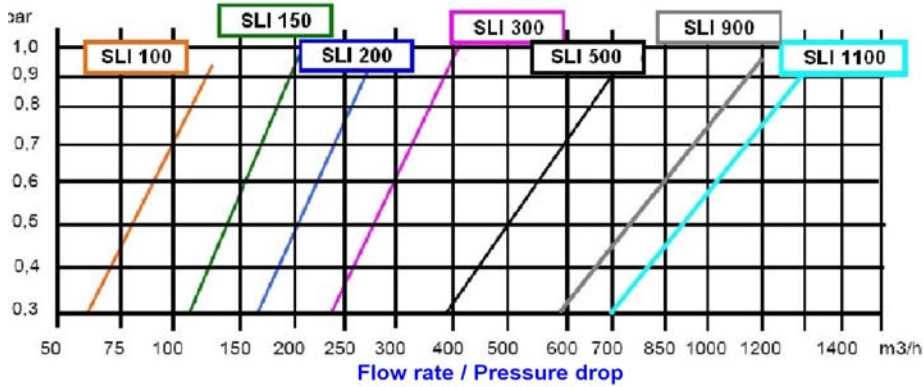


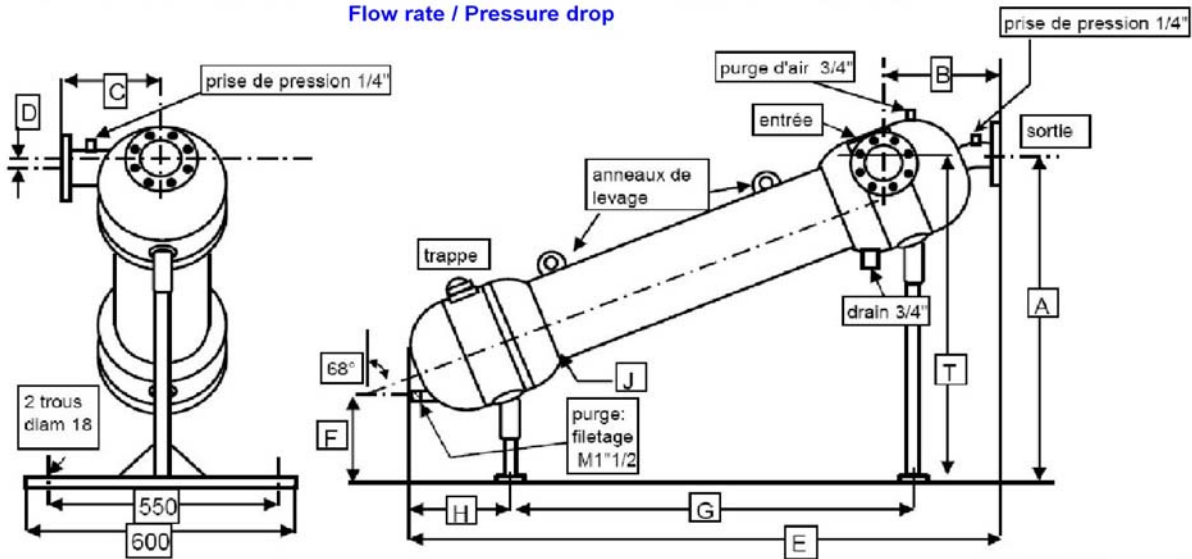
Pressure drop And Sizes Cyclones SLI

Séparation : Liquide/Solide
Matériel : FILTRE
Média : permanent
TECHNIQUE



Inclined
Centrifugal Separators

SLI Type
Non-removable head



GENERAL DATA / DIMENSIONS

MODEL	Flow rate m³/h		Flow rate l/mn		Pressure drop (bar)		Maximum particle size	Drain (male thread)
	mini	maxi	mini	maxi	mini	maxi		
SLI 100	64	125	1067	2083	0.3	0.9	9mm	1"1/2
SLI 150	90	170	1500	2833	0.3	0.9	9mm	1"1/2
SLI 200	165	270	2750	4500	0.3	0.9	9mm	1"1/2
SLI 300	230	380	3833	6333	0.3	0.9	9mm	1"1/2
SLI 500	370	700	6167	11667	0.3	0.9	9mm	2"
SLI 900	590	1150	9833	19167	0.3	0.9	9mm	2"
SLI 1100	700	1300	11667	21667	0.3	0.9	9mm	2"



MODEL	A	B	C	D	E	F	G	H	J	In / Out PN 16 Flanges	volume of purge chamber	weight without packaging
SLI 100	1129	315	264	19	1607	510	1120	251	273	DN 100 (4")	23 litres	200
SLI 150	1319	412	305	27	2095	430	1470	355	355	DN 125 (5")	58 litres	270
SLI 200	1319	412	305	27	2095	510	1475	310	355	DN 150 (6")	58 litres	290
SLI 300	1518	519	368	38	2377	510	1596	400	457	DN 200 (8")	62 litres	375
SLI 500	1721	632	450	51	2755	510	1684	601	550	DN 250 (10")	177 litres	555
SLI 900	2100	750	460	60	3300	600	2060	660	650	DN 300 (12")	350 litres	760
SLI 1100	2400	850	620	70	3650	600	2340	700	750	DN 350 (14")	520 litres	1050