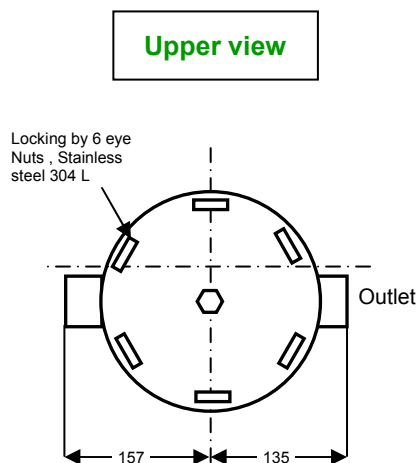


Basket or Bag EU Filter

Separation : Liquid / Solid
Material : FILTER
Media : Permanent/Consumable

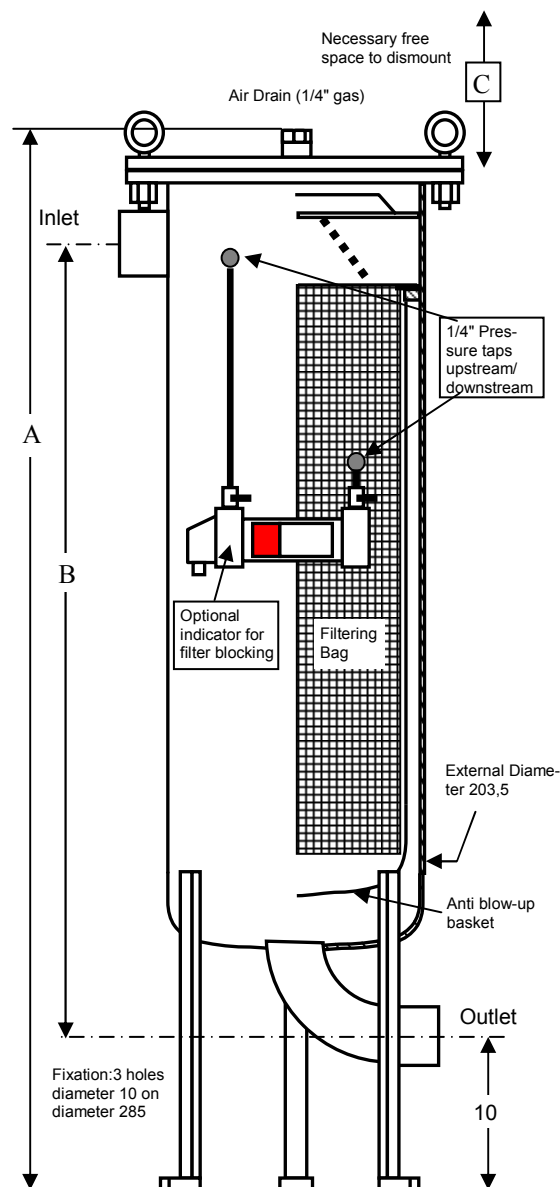
MODEL	Maximum Pressure	Inlet	Outlet	A	B	C	Bag Diameter	Bag Height
Model 1- 0820-D-P10-PP1560	10 bars	2" F	2" F	990	875	500	150	600
Model 1- 1320-D-P10-PP15110	10 bars	2" F	2" F	1490	1375	1000	150	1100



- ➔ The filter body are made by mild in stainless steel 316L
- ➔ Baskets nominal filtration rates : 5,10, 25, 50 et 100 μ .
- ➔ Material : Polypropylene

Options

- ⇒ Manometer pressure measuring up/downstream
- ⇒ Filter blocking indicator
- ⇒ Differential pressure switch



Minimum required data for enquiry:

Type of fluid and application.
Nominal and design pressure.

Nominal and design flow capacity
Required micron rating.